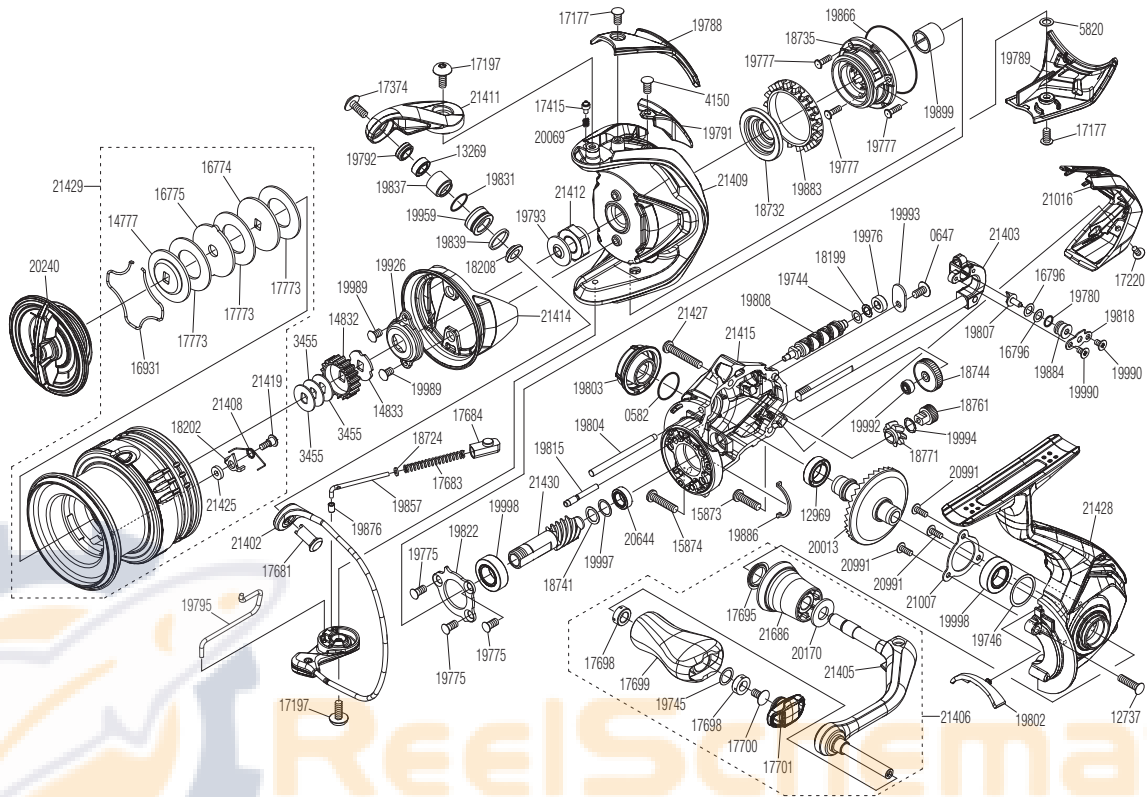


# SHIMANO

## ULTEGRA SA-RB

## ULT-2500HG



Please note that the number of adjusting washers may not always be the same as shown in the exploded views.  
Please note that your actions take full responsibility when you take it apart.

(51SF52E028X)

Part No.	Description	Part No.	Description	Part No.	Description
RD 0582	O Ring	RD18761	Idle Gear B Small	RD19994	Washer
RD 0647	Screw	RD18771	Idle Gear B Large	RD19997	Washer
RD 3455	Washer	RD19744	Washer	RD19998	Ball Bearing
RD 4150	Screw	RD19745	Washer	RD20013	Drive Gear
RD 5820	Washer	RD19746	Washer	RD20069	Click Spring
RD12737	Screw	RD19775	Screw	RD20170	Washer
RD12969	Ball Bearing	RD19777	Screw	RD20240	Drag Knob Assembly
RD13269	Ball Bearing	RD19780	O Ring	RD20644	Ball Bearing
RD14777	Key Washer	RD19788	Bail Spring Cover	RD20991	Screw
RD14832	Spool Support A	RD19789	Bail Hold Support Guard	RD21007	Bearing Retainer
RD14833	Spool Support B	RD19791	Counter Weight Cover	RD21016	Rear Protector
RD15873	Screw	RD19792	Line Roller Support Collar	RD21402	Bail Assembly
RD15874	Screw	RD19793	Bearing Water Proof	RD21403	Main Shaft Assembly
RD16774	Key Washer	RD19795	Bail Trip Lever	RD21405	Handle Shank Assembly
RD16775	Eared Washer	RD19802	Bail Trip Strike	RD21406	Handle Assembly
RD16796	Spacer	RD19803	Handle Screw Cap	RD21408	Drag Click Spring
RD16931	Drag Washer Retainer	RD19804	Oscillating Guide	RD21409	Rotor
RD17177	Screw	RD19807	Oscillating Pawl	RD21411	Bail Arm
RD17197	Screw	RD19808	Worm Shaft	RD21412	Rotor Nut
RD17220	Screw	RD19815	Idle Gear B Shaft	RD21414	Rotor Brim
RD17374	Screw	RD19818	Oscillating Pawl Cover	RD21415	Body
RD17415	Click Pin	RD19822	Bearing Retainer	RD21419	Screw
RD17681	Line Roller Support	RD19831	O Ring	RD21425	Spool Bushing Spacer
RD17683	Bail Spring	RD19837	Line Roller Bushing	RD21427	Screw
RD17684	Bail Spring Guide B	RD19839	Line Roller Spacer	RD21428	Side Cover Assembly
RD17695	Handle Shaft Seal	RD19857	Bail Spring Guide A	RD21429	Spool Assembly
RD17698	Handle Knob Bushing	RD19866	Roller Clutch Seal	RD21430	Pinion Gear
RD17699	Handle Knob	RD19876	Bail Spring Guide A Bush	RD21686	Handle Shaft Cover Assembly
RD17700	Screw	RD19883	Friction Ring		
RD17701	Handle Knob Seal	RD19884	Oscillating Slider Bushing		
RD17773	Drag Washer	RD19886	Flange Water Proof		
RD18199	Spacer	RD19899	Roller Clutch Inner		
RD18202	Drag Click	RD19926	Rotor Nut Lock Plate		
RD18208	Spacer	RD19959	Line Roller		
RD18724	Spring Guide A Support	RD19976	Worm Bushing (Rear)		
RD18732	Rotor Ring	RD19989	Screw		
RD18735	Roller Clutch Assembly	RD19990	Screw		
RD18741	Washer	RD19992	Worm Bushing (Front)		
RD18744	Idle Gear	RD19993	Worm Shaft Retainer	RD18054	Anti Line Slip Sticker